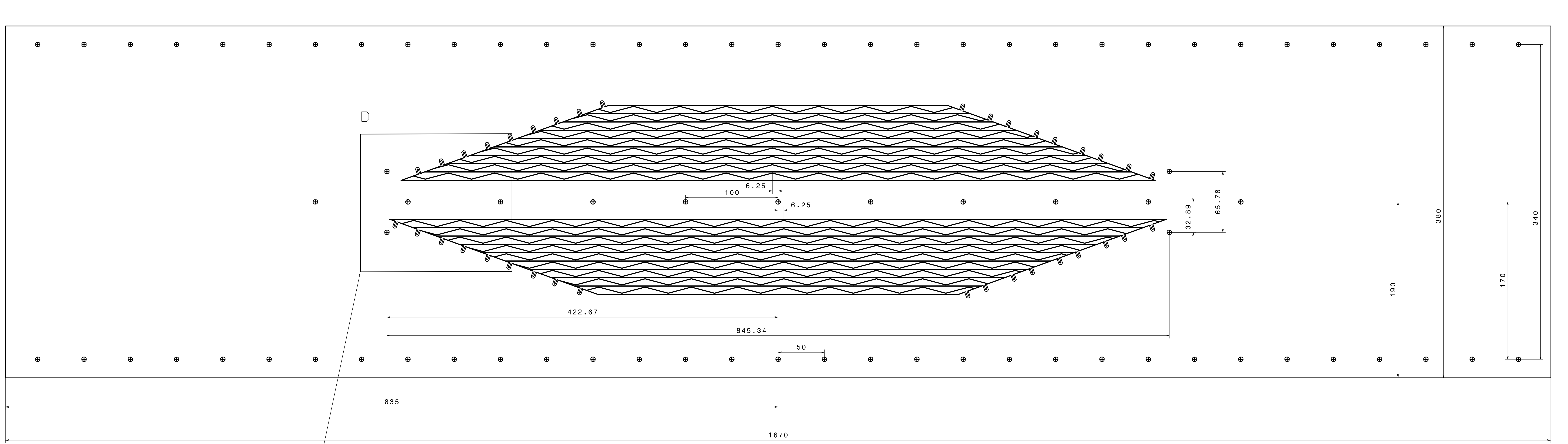
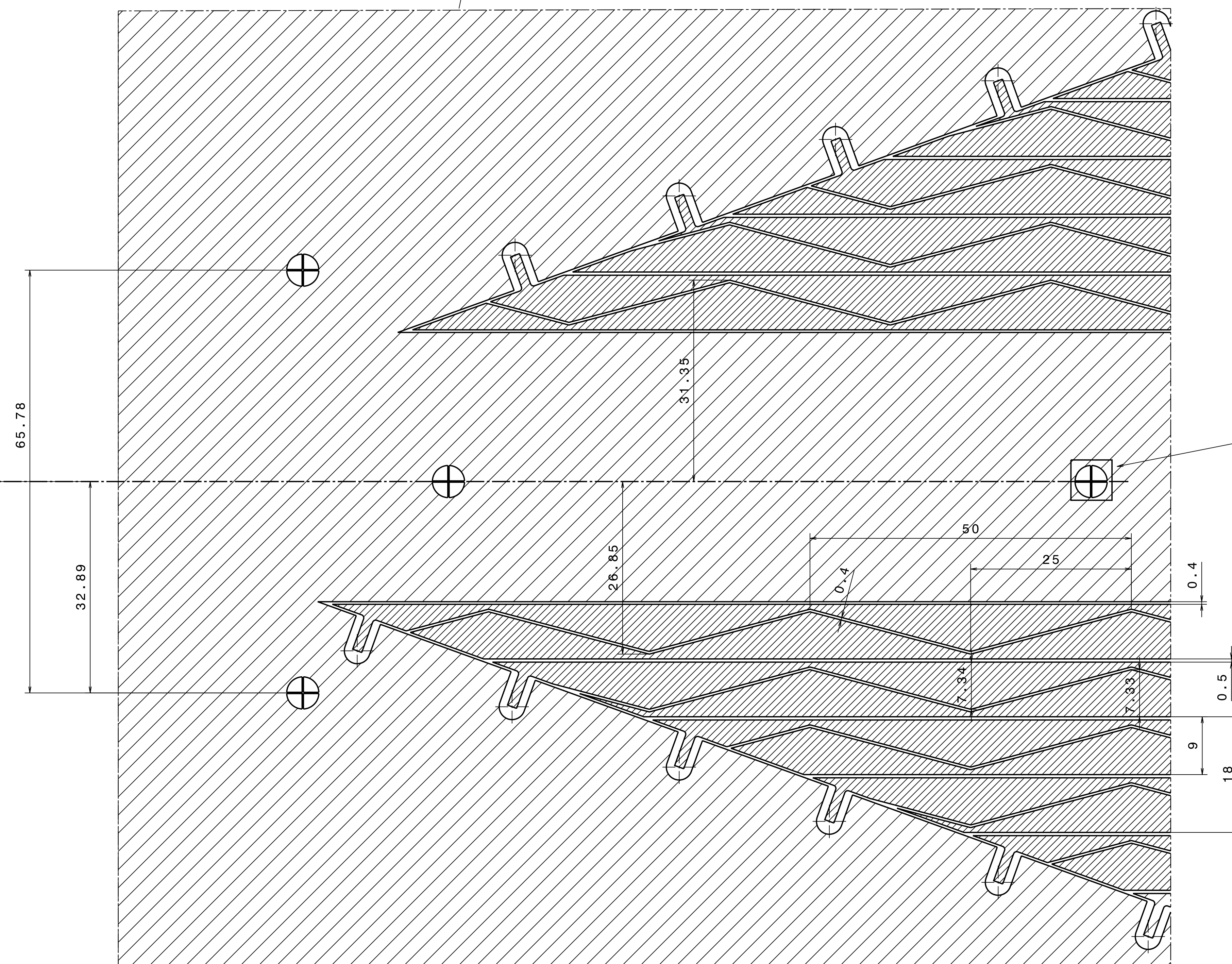


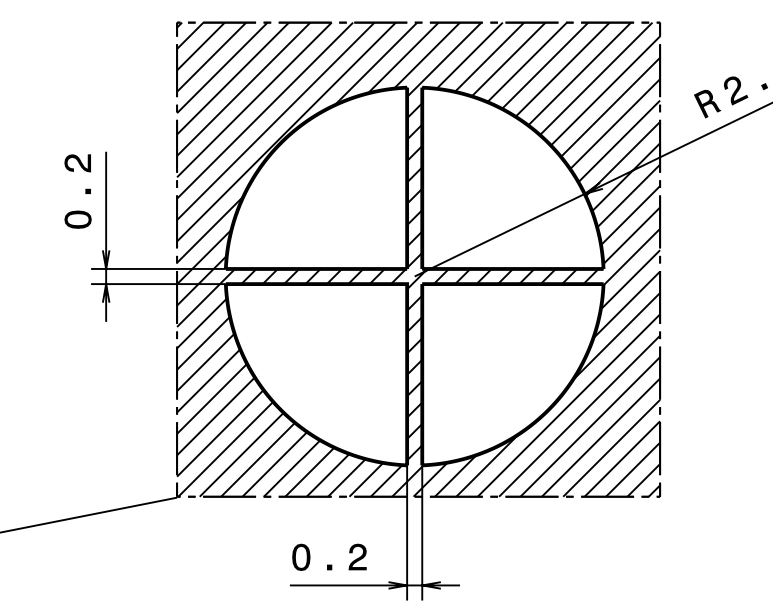
MEG Drift-Chamber Cathode Foil



Detail D



Detail E



Surface
Aluminised 250 nm